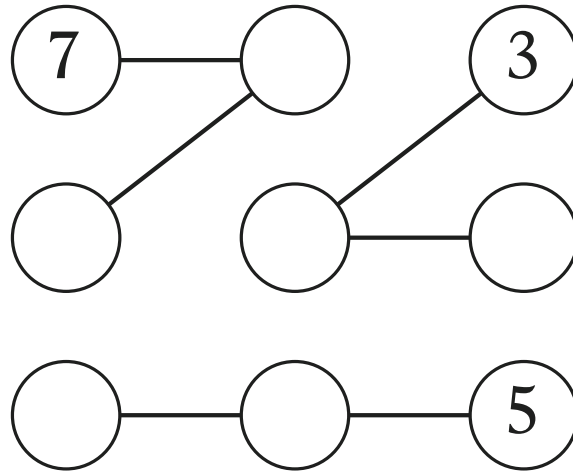


Strimko Adding to 10 Puzzles

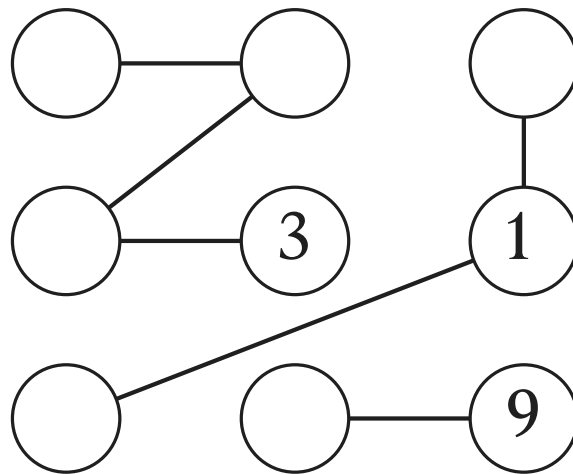
Directions: For each puzzle, fill in the blank circles with the correct numbers.

- Rules:**
- Each column must contain three different numbers.
 - Each row must contain three different numbers.
 - Each stream (connected by the lines) must contain three different numbers.
 - Each stream must add up to ten in all puzzles.

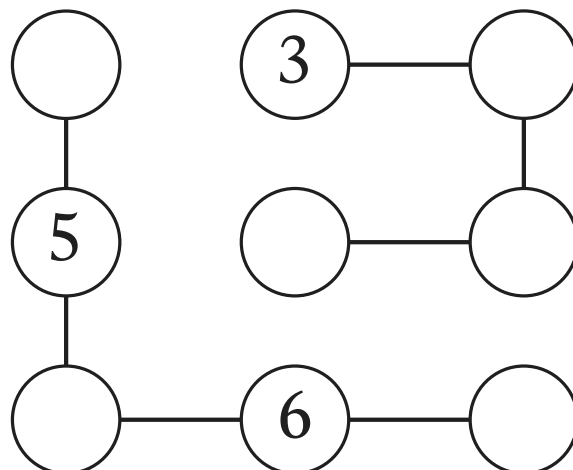
Puzzle 1



Puzzle 2

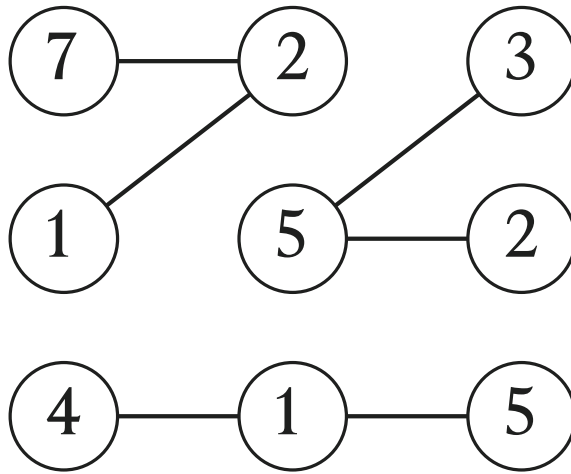


Puzzle 3

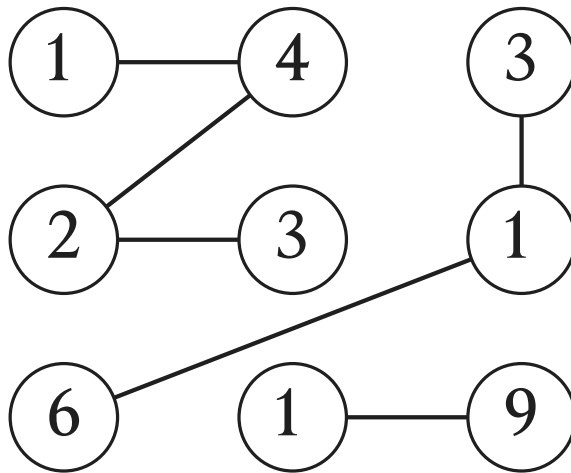


Answer Key

Puzzle 1



Puzzle 2



Puzzle 3

